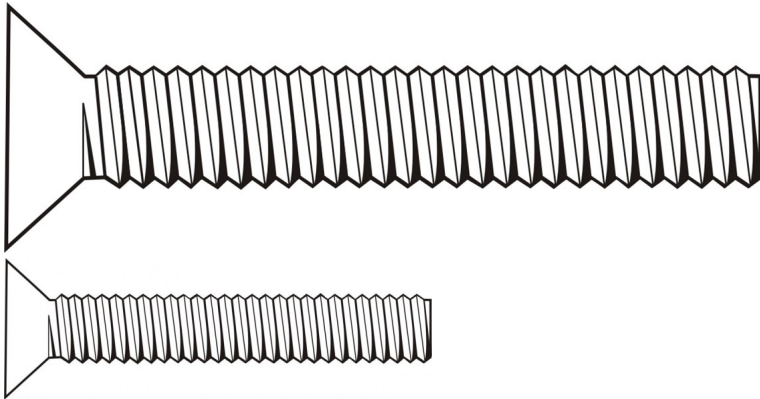


Flat Head, Phillips Machine Screw



Rating: Not Rated Yet

[Ask a question about this product](#)

Description	SIZE	PART #	QTY	WT / CTN
	2-56 X	MCPFL	250	1.5
	3/8	0206Z	0	
	2-56 X	MCPFL	250	2
	1/2	0208Z	0	
	2-56 X	MCPFL	250	2.3
	5/8	0210Z	0	
	2-56 X	MCPFL	250	2.5
	3/4	0212Z	0	
	4-40 X	MCPFL	250	1
	3/16	0403Z	0	
	4-40 X	MCPFL	250	1.8
	1/4	0404Z	0	
	4-40 X	MCPFL	250	2.3
	5/16	0405Z	0	
	4-40 X	MCPFL	250	2.5
	3/8	0606Z	0	
	4-40 X	MCPFL	250	3
	1/2	0408Z	0	
	4-40 X	MCPFL	250	3.5
	5/8	0410Z	0	
	4-40 X	MCPFL	250	4
	3/4	0412Z	0	
	4-40 X 1	MCPFL	250	5.3
		0416Z	0	
	4-40 X 1	MCPFL	250	6.5
	1/4	0418Z	0	
	4-40 X 1	MCPFL	200	6.2
	1/2	0420Z	0	
	5-40 X	MCPFL	250	2.3
	3/8	0506Z	0	
	6-32 X	MCPFL	250	1.8
	3/16	0603Z	0	
	6-32 X	MCPFL	250	2.8
	1/4	0604Z	0	

Machine Screws: Flat Head, Phillips Machine Screw

6-32 X	MCPFL	250	3.3
5/16	0605Z	0	
6-32 X	MCPFL	250	3.8
3/8	0606Z	0	
6-32 X	MCPFL	250	5
1/2	0608Z	0	
6-32 X	MCPFL	250	5.8
5/8	0610Z	0	
6-32 X	MCPFL	250	6.8
3/4	0612Z	0	
6-32 X 1	MCPFL	250	8.5
	0616Z	0	
6-32 X 1	MCPFL	250	10
1/4	0618Z	0	
6-32 X 1	MCPFL	200	9.8
1/2	0620Z	0	
6-32 X 2	MCPFL	240	15.2
	0624Z	0	
6-32 X 2	MCPFL	240	19
1/2	0626Z	0	
6-32 X 3	MCPFL	180	19.7
	0630Z	0	
8-32 X	MCPFL	250	4.3
3/16	0803Z	0	
8-32 X	MCPFL	250	4.3
1/4	0804Z	0	
8-32 X	MCPFL	250	3
5/16	0805Z	0	
8-32 X	MCPFL	250	5.8
3/8	0806Z	0	
8-32 X	MCPFL	250	7.3
1/2	0808Z	0	
8-32 X	MCPFL	250	8.5
5/8	0810Z	0	
8-32 X	MCPFL	250	10
3/4	0812Z	0	
8-32 X	MCPFL	250	11.3
7/8	0814Z	0	
8-32 X1	MCPFL	250	13
	0616Z	0	
8-32 X 1	MCPFL	250	15.8
1/4	0818Z	0	
8-32 X 1	MCPFL	200	14.4
1/2	0820Z	0	
8-32 X 1	MCPFL	200	16.6
3/4	0822Z	0	
8-32 X 2	MCPFL	240	22.3
	0824Z	0	
8-32 X 2	MCPFL	180	20.8
1/2	0826Z	0	
8-32 X 3	MCPFL	180	24.5
	0830Z	0	
10-24 X	MCPFL	250	6
1/4	1004Z	0	
10-24 X	MCPFL	250	7
5/16	1005Z	0	
10-24 X	MCPFL	250	8
3/8	1006Z	0	
10-24 X	MCPFL	250	10
1/2	1008Z	0	
10-24 X	MCPFL	250	11.5
5/8	1010Z	0	
10-24 X	MCPFL	250	13.3
3/4	1012Z	0	
10-24 X	MCPFL	250	15
7/8	1014Z	0	
10-24 X	MCPFL	250	16.5
1	1016Z	0	
10-24 X	MCPFL	200	16

Machine Screws: Flat Head, Phillips Machine Screw

1 1/4	1018Z	0
10-24 X	MCPFL 200	18.8
1 1/2	1020Z	0
10-24 X	MCPFL 240	26.2
1 3/4	1022Z	0
10-24 X	MCPFL 180	22.5
2	1024Z	0
10-24 X	MCPFL 180	27.8
2 1/2	1026Z	0
10-24 X	MCPFL 120	22
3	1030Z	0
10-24 X	MCPFL 120	25.5
3 1/2	1032Z	0
10-24 X	MCPFL 900	21.7
4	1040Z	
10-24 X	MCPFL 800	20
4 1/2	1042Z	
10-24 X	MCPFL 600	16.2
5	1050Z	
10-24 X	MCPFL 600	16.5
5 1/2	1052Z	
10-24 X	MCPFL	
6	1060Z	